

 HOLLYLAND (CHINA) ELECTRONICS TECHNOLOGY CORPORATION LTD.	PRODUCT SPECIFICATION	ISSUED DATE: 2015/4/15	A00
	H3FE SERIES	REV. NO.: DOC. NO.: PAGE :	HLD-PSI-1083 Page 1 of 5

制定 PREPARED BY		审核 CHECKED BY		批准 APPROVED BY	
-------------------	---	------------------	---	-------------------	---

1. 适用范围/ SCOPE

本规格书适用于本公司生产的 H3FE series HOLLY® 商标的螺栓连接熔断体。本产品适用于 1000V AC 及以下电压半导体器件的保护。

This specification defines the technical requirements of fuse-links with bolted connections type H3FE series with HOLLY® brand. The fuse series designed for semiconductor devices where voltage 1000V or below.

产品部件号 PART NUMBER

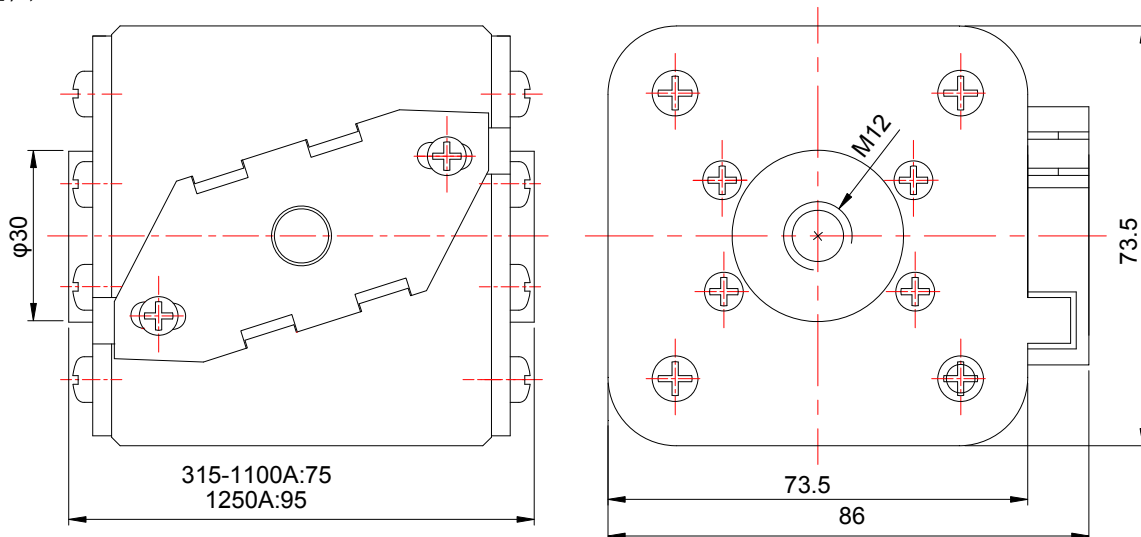
目录编号 Part No.	额定电流 Rated Current	额定电压 Rated Voltage	分断电流 Breaking Current	功耗 Watts Loss (W)
H3FE315	315A	1000V AC	150kA	91
H3FE350	350A			96
H3FE400	400A			106
H3FE450	450A			116
H3FE500	500A			116
H3FE550	550A			120
H3FE630	630A			126
H3FE700	700A			132
H3FE800	800A			140
H3FE900	900A			150
H3FE1000	1000A			156
H3FE1100	1100A			162
H3FE1250	1250A			176

2. 相关标准及认证情况 APPLICABLE STANDARDS & APPROVED DETAILS

2.1 H3FE 系列产品适用的相关标准是 IEC 60269-4、GB/T 13539.4,

Applicable standards for H3FE series are IEC 60269-4 and GB/T 13539.4.

3. 构造图 CONSTRUCTION FIG. & DIMENSION



 HOLLYLAND (CHINA) ELECTRONICS TECHNOLOGY CORPORATION LTD.	PRODUCT SPECIFICATION	ISSUED DATE: REV. NO.: DOC. NO.: PAGE :	2015/4/15 A00 HLD-PSI-1083 Page 2 of 5
	H3FE SERIES		

3.1 原材料规格 MATERIAL

编号 NO.	品名 PART	材料 MATERIAL	备注 REMARK
1	陶瓷管 Ceramic Tube	陶瓷 Ceramic	
2	触刀 Contact	铜 Copper	
3	盖板 Board	黄铜 Brass	
4	指示器 Indicator	陶瓷 Ceramic	
5	铜帽 Cap	黄铜 Brass	
6	垫片 Washer	石墨 Graphite	
7	可熔体 Fusible Element	金属片 Metal Sheet	
8	石英砂 Quartz Sand	二氧化硅 Silicon Dioxide	
9	螺钉 Bolt	钢 Steel	
10	指示器拉线 Indicator line	金属丝 Wire	
11	微动开关底座 Microswitch base	热固性塑料 Thermosetting Plastics	

3.2 陶瓷管 Ceramic Tube

陶瓷管无破裂、缺损或污染等现象。

Ceramic tube shall have no defects such as crack, injury and contamination.

4. 电气特性 ELECTRICAL PERFORMANCES

4.1 测试条件 TEST CONDITIONS

全部测试条件都应在环境温度 $20^{\circ}\text{C}\pm 5^{\circ}\text{C}$ 条件下进行。

All electrical tests are conducted at a ambient temperature of $20\pm 5^{\circ}\text{C}$.

4.2 负载能力测试 CURRENT-CARRYING CAPACITY TEST

当熔断体通以100%倍额定电流的条件下进行测试时，在4小时内电路不应断开，熔断体不被电流熔断，管体不破裂。

A fuse-link shall carry 100% of rated current for 4 hours, and the circuit shall not be opened. While the fuse is carrying this current, no open circuit, melt fusible element, and ruptured tube shall occur in any manner during this test.



**HOLLYLAND (CHINA) ELECTRONICS
TECHNOLOGY CORPORATION LTD.**

**PRODUCT
SPECIFICATION**

H3FE SERIES

ISSUED DATE:

REV. NO.:

DOC. NO.:

PAGE :

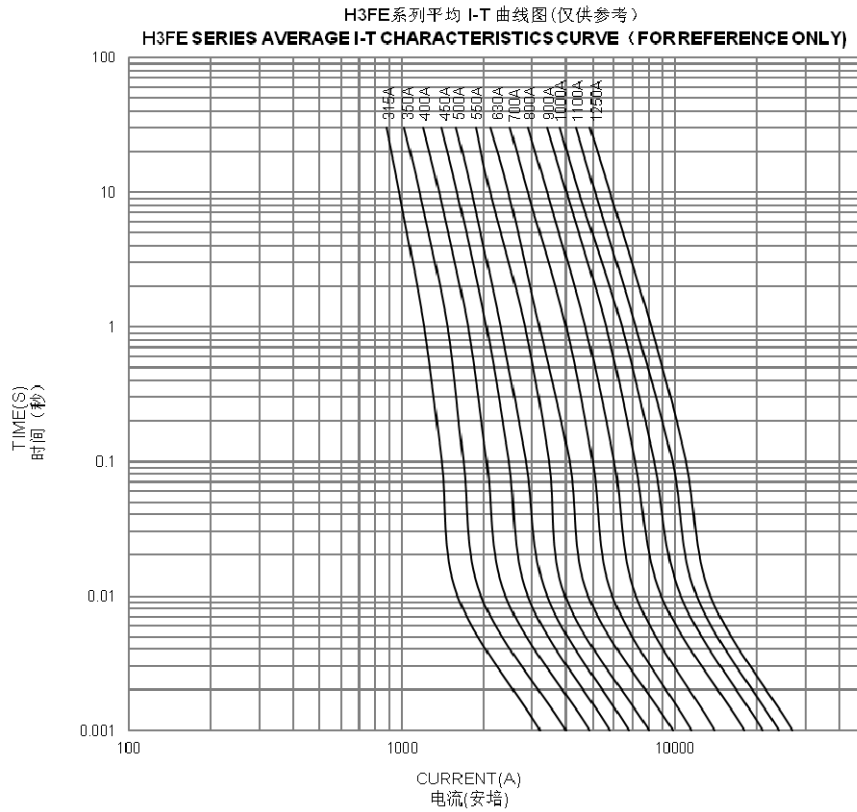
2015/4/15

A00

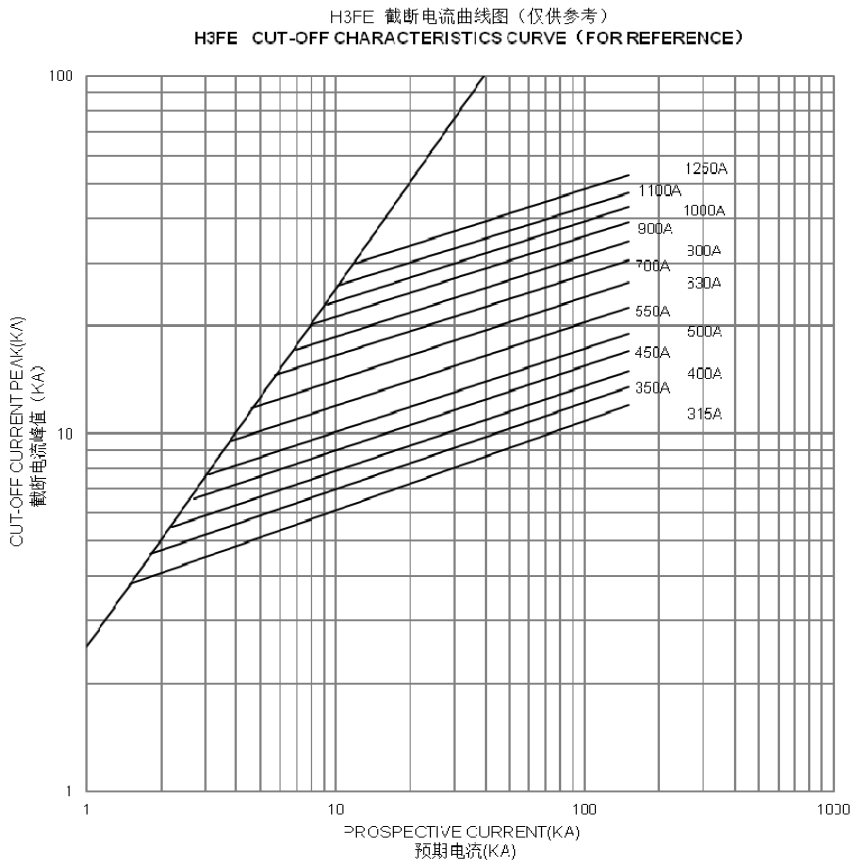
HLD-PSI-1083


Page 3 of 5

4.3 平均I-T特性曲线图(仅供参考) THE AVERAGE I-T CHARACTERISTICS CURVE (FOR REFERENCE ONLY)

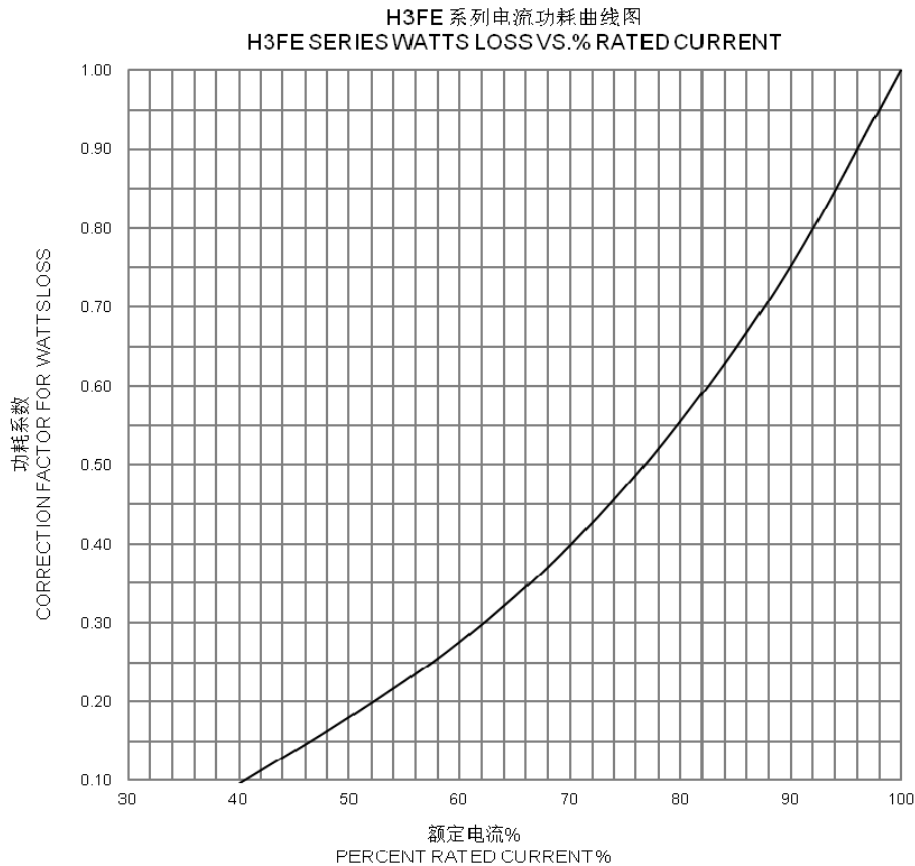


4.4 平均截断电流图(仅供参考) THE AVERAGE CUT-OFF CHARACTERISTICS (FOR REFERENCE ONLY)



 HOLLYLAND (CHINA) ELECTRONICS TECHNOLOGY CORPORATION LTD.	PRODUCT SPECIFICATION	ISSUED DATE: REV. NO.: DOC. NO.: PAGE :	2015/4/15 A00 HLD-PSI-1083 Page 4 of 5
	H3FE SERIES		

4.5 平均功耗曲线图（仅供参考） THE AVERAGE POWER LOSSES CHARACTERISTICS CURVE (FOR REFERENCE ONLY)



4.6 电阻测试 COLD RESISTANCE TEST

环境温度为 $20\pm 5^{\circ}\text{C}$ ，测试电流不大于熔断体额定电流的10%。

Input less than or equal to 10% rated current of fuse-link to fuse for cold resistance test at the ambient temperature of $20\pm 5^{\circ}\text{C}$.

5. 产品标志 MARKING

5.1 熔断体上的标志应易于看清。

The relevant markings shall be marked on tube of the fuse-link and shall be easily visible.

5.2 每个熔断体应标有下列标记：The symbol for every fuse shall be as prescribed below:

5.2.1 商标 Trade mark: HOLLY®

5.2.2 分断范围与使用类别 Breaking range and utilization category: aR

5.2.3 额定电流 Rated current:

5.2.4 额定电压 Rated voltage:

5.2.5 分断能力 Breaking capacity :

6. 包装要求 PACKING DETAILS

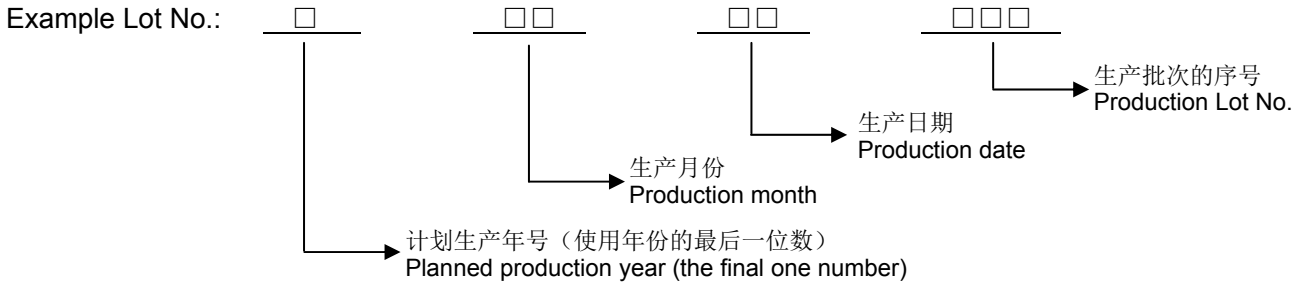
6.1 标签 Label

标签应包括：型号、额定电压、额定电流、批量号码、RoHS 标志。

The label in the smallest package in which the fuse-links are put shall contain the Type, Rated voltage, Rated current, Lot. No., "RoHS" mark.

 HOLLYLAND (CHINA) ELECTRONICS TECHNOLOGY CORPORATION LTD.	PRODUCT SPECIFICATION	ISSUED DATE: REV. NO.: DOC. NO.: PAGE :	2015/4/15 A00 HLD-PSI-1083 Page 5 of 5
	H3FE SERIES		

例批量号:



6.2 所有产品的包装应能达到防潮、抗振的作用，以防在运输或贮存过程中产品受潮或损坏。

Packing should meet the requirements of anti-moisture and anti-shaking so that the products will not absorb moisture or be damaged during transportation or storage.